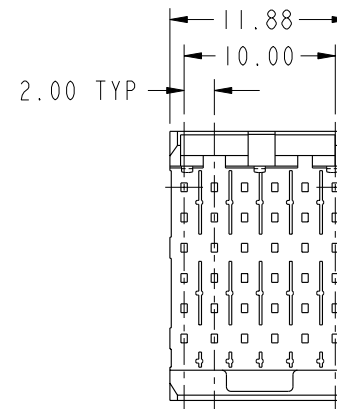
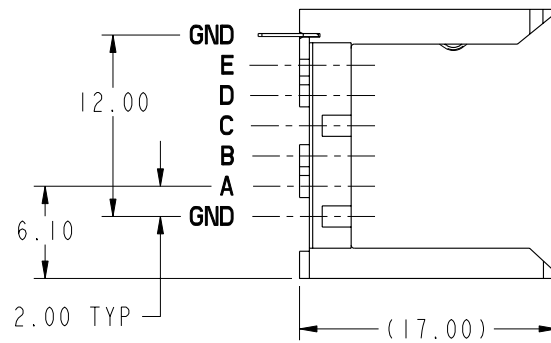
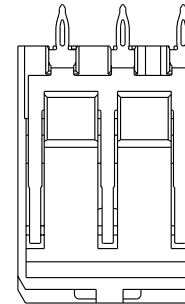




This document is the property of and embodies CONFIDENTIAL and PROPRIETARY information of FCI. No part of the information shown on this document may be used in any way or disclosed to others without the written consent of FCI. Copyright FCI.

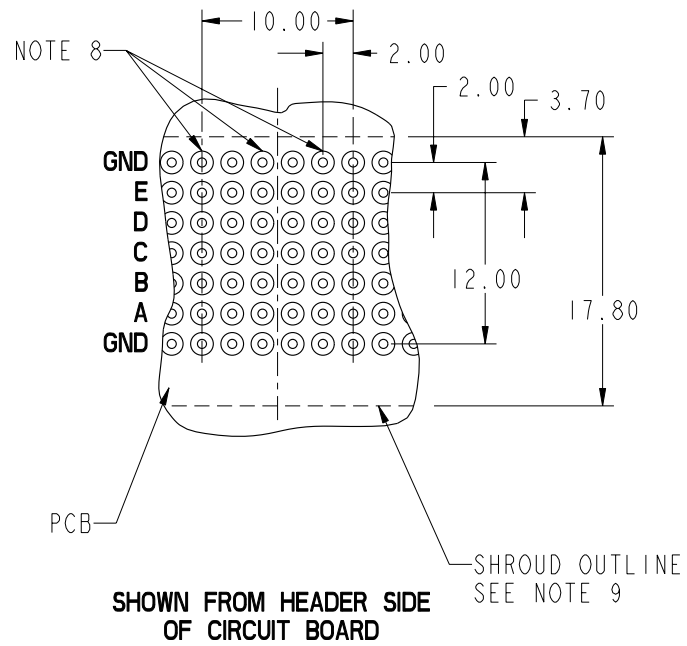
PRODUCT NUMBER	GROUND SPRING CONTACT FINGERS PLATING PERFORMANCE LEVEL	GROUND SPRING PRESS FIT TAIL PLATING
73993-101	TELCORDIA CO	STANDARD (SnPb)
73993-101LF		LEAD FREE (Sn)
73993-501	TELCORDIA UE	STANDARD (SnPb)
73993-501LF		LEAD FREE (Sn)



mat'l code SEE NOTE 5				tolerances unless otherwise specified		CUSTOMER	FCI www.fciconnect.com	
ltr	ecn no.	dr	date	linear	0.X ±0.3	COPY	title	
H	V07-0186	DCH	2007-04-23	linear	0.XX ±0.13	projection	VERTICAL SIGNAL HDR SHROUD	
J	V07-0693	HTB	2007-11-26	linear	.XXX ±.051		5 ROW P.F. 30 POS. STANDARD	
K	V08-0071	HTB	2008-02-08	angles	0° ±2°		product family METRAL 1000 code	
-	-	-	-	dr	E. KROPER. 2001-09-17	MM	size	dwg no
E	V20705	CGD	2002-04-11	engr	J. VOLSTORF 2001-09-17		A	73993
F	V05-0797	VS	2005-08-31	chr	J. VOLSTORF 2001-09-17	scale	1 of 3	
G	V06-0544	DCH	2006-06-09	appd	J. VOLSTORF 2001-09-17		2:1	
sheet index	revision sheet	K 1	K 2	K 3				

PRODUCT NUMBER
SEE SHEET 1

PRESS-FIT HOLES	OPTION 1 ROWS GND-PIN, A,B,C,D,E	OPTION 2 ROW GND-SPRING
HOLE DIAMETER AFTER PLATING	0.65-0.80	0.45-0.55
DRILLED HOLE	0.81-0.86 (0.85 DRILL)	0.60±0.02
COPPER PLATING	0.025 MIN	0.025 MIN
SnPb PLATING	0.005-0.015	0.005-0.015



This document is the property of and embodies
 CONFIDENTIAL and PROPRIETARY information of FCI.
 No part of the information shown on this
 document may be used in any way or disclosed
 to others without the written consent of FCI.
 Copyright FCI.

mat'l code SEE NOTE 5				tolerances unless otherwise specified		CUSTOMER	FCI www.fciconnect.com	
ltr	ecm no.	dr	date	linear	0.X ±0.3	COPY	title	
K					0.XX ±0.13	projection	VERTICAL SIGNAL HDR SHROUD	
				angles	.XXX ±.051		5 ROW P.F. 30 POS. STANDARD	
				dr	0° ±2°	MM	product family	METRAL 1000
				enr	E. KROPER. 2001-09-17	← MM →	size	dwg no
				chr	J. VOLSTORF 2001-09-17	scale	A	73993
				appd	J. VOLSTORF 2001-09-17	2:1	code	
sheet	revision							213
index	sheet							2

PRODUCT NUMBER
SEE SHEET 1

NOTES:

1. SEE APPLICATION SPECIFICATION GS-20-010 FOR INFORMATION ON AVAILABLE TOOLING, CIRCUIT BOARD DESIGN CONSIDERATIONS, REPAIR PROCEDURES AND PRODUCT OFFERINGS.
2. SEE FCI PUBLICATION 950511-028 FOR "ELECTRICAL PERFORMANCE DATA FOR DIFFERENTIAL APPLICATIONS."
3. SEE FCI PUBLICATION 950511-029 FOR "ELECTRICAL PERFORMANCE DATA FOR SINGLE-ENDED APPLICATION."
4. UNLESS OTHERWISE SPECIFIED, ALL DIMENSIONS AND TOLERANCES ARE IN ACCORDANCE WITH ASME Y14.5, 1994
5. HOUSING MATERIAL: LIQUID CRYSTAL POLYMER, 30% GLASS FILLED, FLAME RETARDANT PER UL 94-V0.
GROUND SPRING MATERIAL: PHOSPHER BRONZE
STRIPLINE SHIELDED MATERIAL: PHOSPHER BRONZE
6. PLATING INFORMATION: SEE TABLE
7. THE MIN PCB THICKNESS FOR REAR PLUG-UP APPLICATIONS IS 2.9mm
SINCE THE COMPLIANT SECTIONS OF THE GROUND SPRING OF THE HEADER DIRECTLY OPPOSE THE GROUND SPRING OF THE SHROUD.
8. THESE HOLES ARE NEEDED FOR REAR PLUG-UP DESIGNS USING A SHROUD. ALL OTHER HOLES ARE FOR THE HEADER.
9. THE 'SHROUD OUTLINE' IS THE MIN OUTLINE REQUIRED. TO DETERMINE THE OUTLINE NECESSARY TO PERMIT THE VARIOUS TYPES OF REPAIR OPERATIONS, SEE APPLICATION SPECIFICATION GS-20-010.
10. CURRENT RATING: 1 AMP PER PIN
11. TEMPERATURE RANGE: -55°C TO +105°C
12. PRODUCTS WHERE THE PART NUMBERS ENDS IN LF MEET EUROPEAN UNION DIRECTIVES AND OTHER COUNTRY REGULATIONS AS DESCRIBED IN GS-22-008.
13. ALL PRODUCTS WILL WITHSTAND EXPOSURE TO 260°C FOR 60 SECONDS IN A CONVECTION, INFRA-RED OR VAPOR PHASE REFLOW OVEN.
FOR LEAD FREE PART NUMBERS, ADD 'LF' SUFFIX EXAMPLE: 73993-X01LF

A

A



This document is the property of and embodies CONFIDENTIAL and PROPRIETARY information of FCI. No part of the information shown on this document may be used in any way or disclosed to others without the written consent of FCI. Copyright FCI.

B

B

mat'l code SEE NOTE 5				tolerances unless otherwise specified			CUSTOMER		www.fciconnect.com		
ltr	ecr no.	dr	date	linear	0.X ±0.3		COPY		title VERTICAL SIGNAL HDR SHROUD 5 ROW P.F. 30 POS. STANDARD		
K					0.XX ±0.13		projection				
					.XXX ±.051						
				angles	0° ±2°				product family METRAL 1000 code size dwg no 213 A 73993 sheet 3		
				dr	E. KROPER.	2001-09-17	MM				
				engr	J. VOLSTORF	2001-09-17	← MM →				
				chr	J. VOLSTORF	2001-09-17	scale				
				appd	J. VOLSTORF	2001-09-17	2:1				
sheet index	revision sheet										